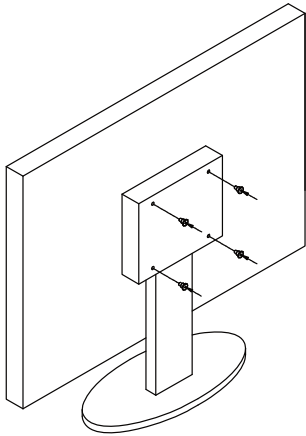
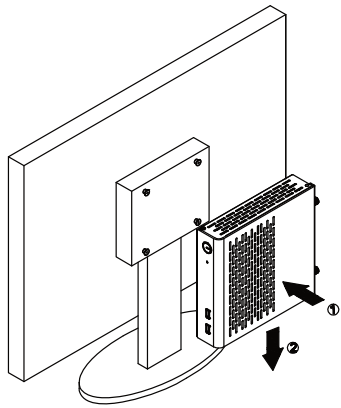


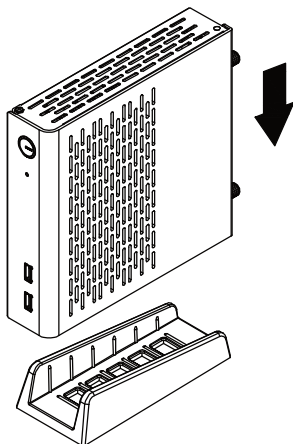
Install VESA bracket onto the bottom of the case.



Install four VESA screws on the back of the monitor.



Align VESA bracket on the assembled chassis with the screws on the monitor from the top to complete installation.



Alternatively, the PT13 can also be installed into the vertical stand holder.