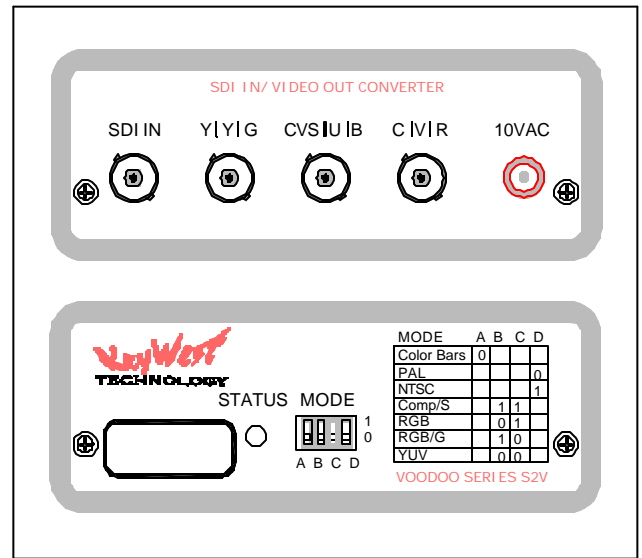


Multi-Standard Serial Digital Video to Analog Video Converter

The BVV2S converts NTSC or PAL-B SMPTE 259M Serial Digital (CCIR 601) video to analog composite, Y/C, RGB, or YCrCb video. The unit is designed as a low-cost, "broadcast quality" D-A. Four in-line miniature switches (90 degree DIP) allow for input mode selection. A 100% color bar test signal output is also Available with valid SDI timed input.



SPECIFICATIONS:

- Accepts 8-bit or 10-bit NTSC and PAL-B serial digital SMPTE 259M (CCIR 601) video input (output standard same as input standard)
- Output formats include composite, Y/C, RGB (with sync), and YCrCb
- Professional 75 ohm BNC input and output connectors
- 10-bit DAC resolution
- 5 VDC operation (wall transformer included)(units prior to serial number SV00173 may operate on 12 VDC—for best results, use the included transformer or Keywest power supply only)
- 80dB typical SNR
- 5.8 MHz typical luma NTSC bandwidth (to 3dB)
- VBI capability
- 7nS typical frame input to output delay
- Ambient operating temperature 0 to + 70 °C

ORDERING INFORMATION

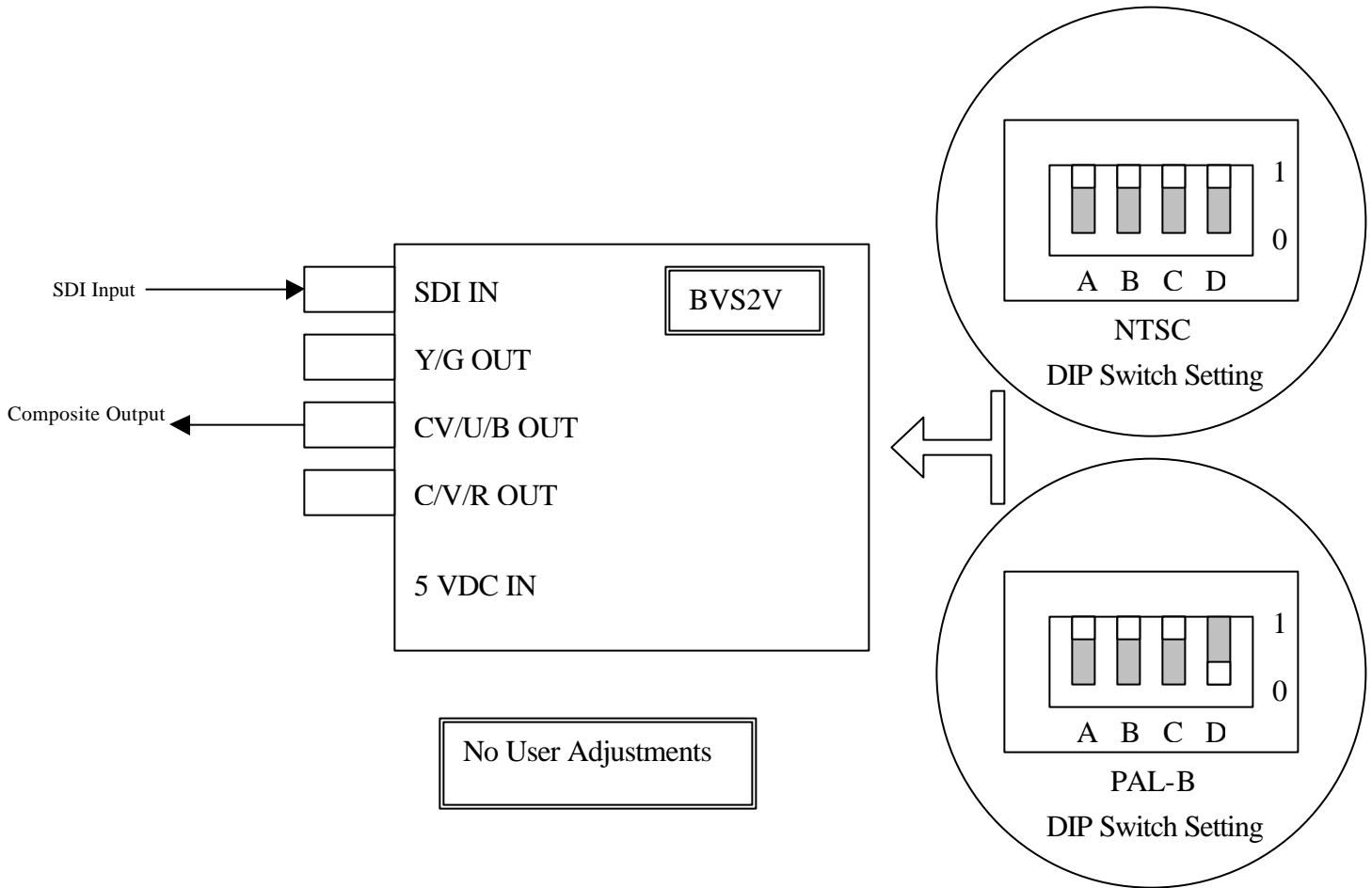
Part #	Options
BVS2V	Rack Kit, Rack Kit Blanks, Universal PSU

APPLICATIONS

- In studio conversions
- Truck/van conversions (eliminates need to replace entire monitor wall)
- Utilize SDI equipment with current analog equipment in any situation
- Transmit video noise-free over distances (with single cable)
- Reduce SDI conversion budget by avoiding replacement of entire suite

OPERATING INSTRUCTIONS

Serial Digital (SMPTE 259M) In – Composite Out

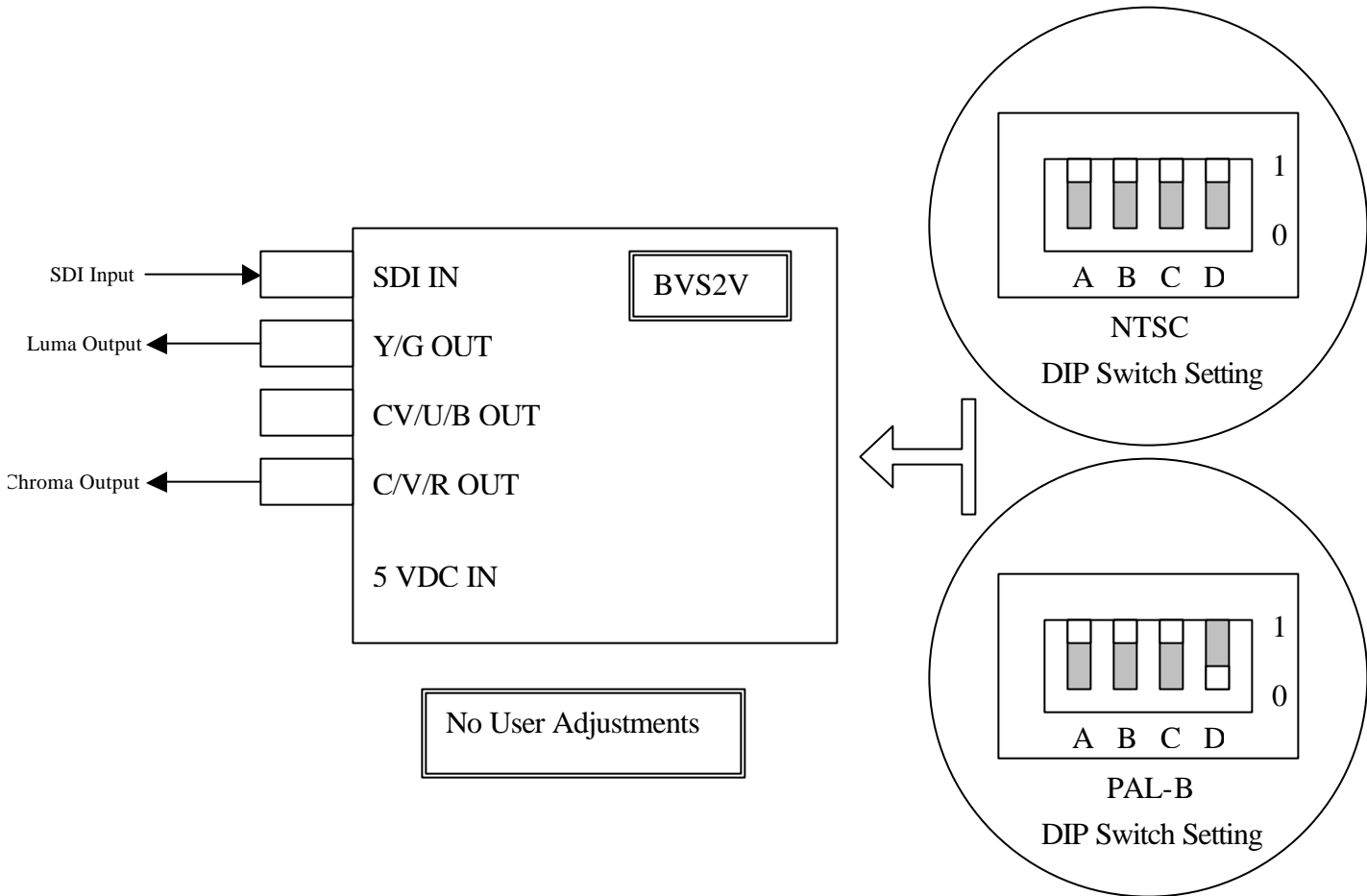


OPERATION NOTE

*The green LED located to the left of the DIP switch device is **NOT** a power indicator. The LED will flash at power up, and at any change in the DIP switch settings—it is designed as acknowledgement to microprocessor power-up and switch changes only.*

OPERATING INSTRUCTIONS

Serial Digital (SMPTE 259M) In – Y/C Out

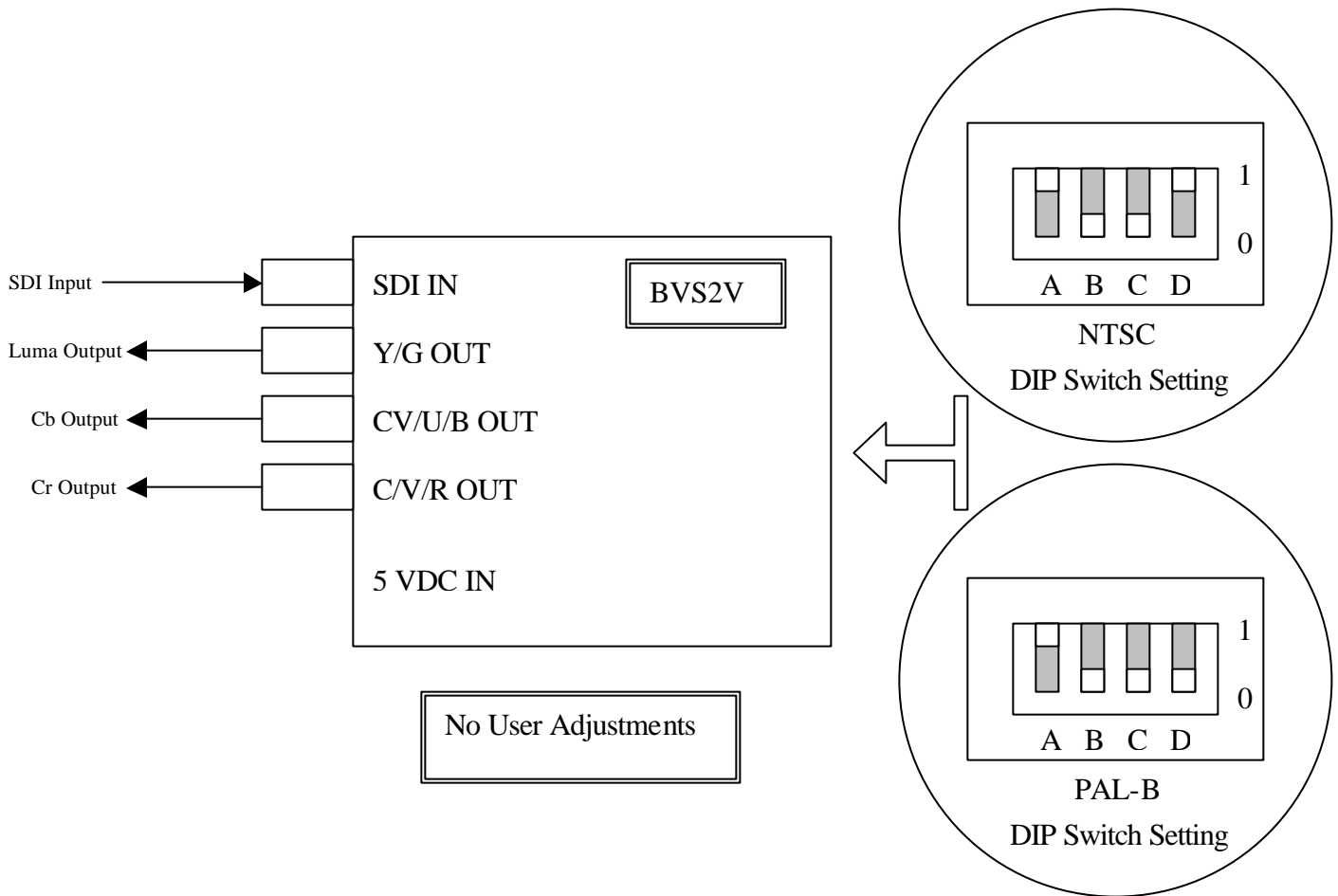


OPERATION NOTE

*The green LED located to the left of the DIP switch device is **NOT** a power indicator. The LED will flash at power up, and at any change in the DIP switch settings—it is designed as acknowledgement to microprocessor power-up and switch changes only.*

OPERATING INSTRUCTIONS

Serial Digital (SMPTE 259M) In – YCrCb Out

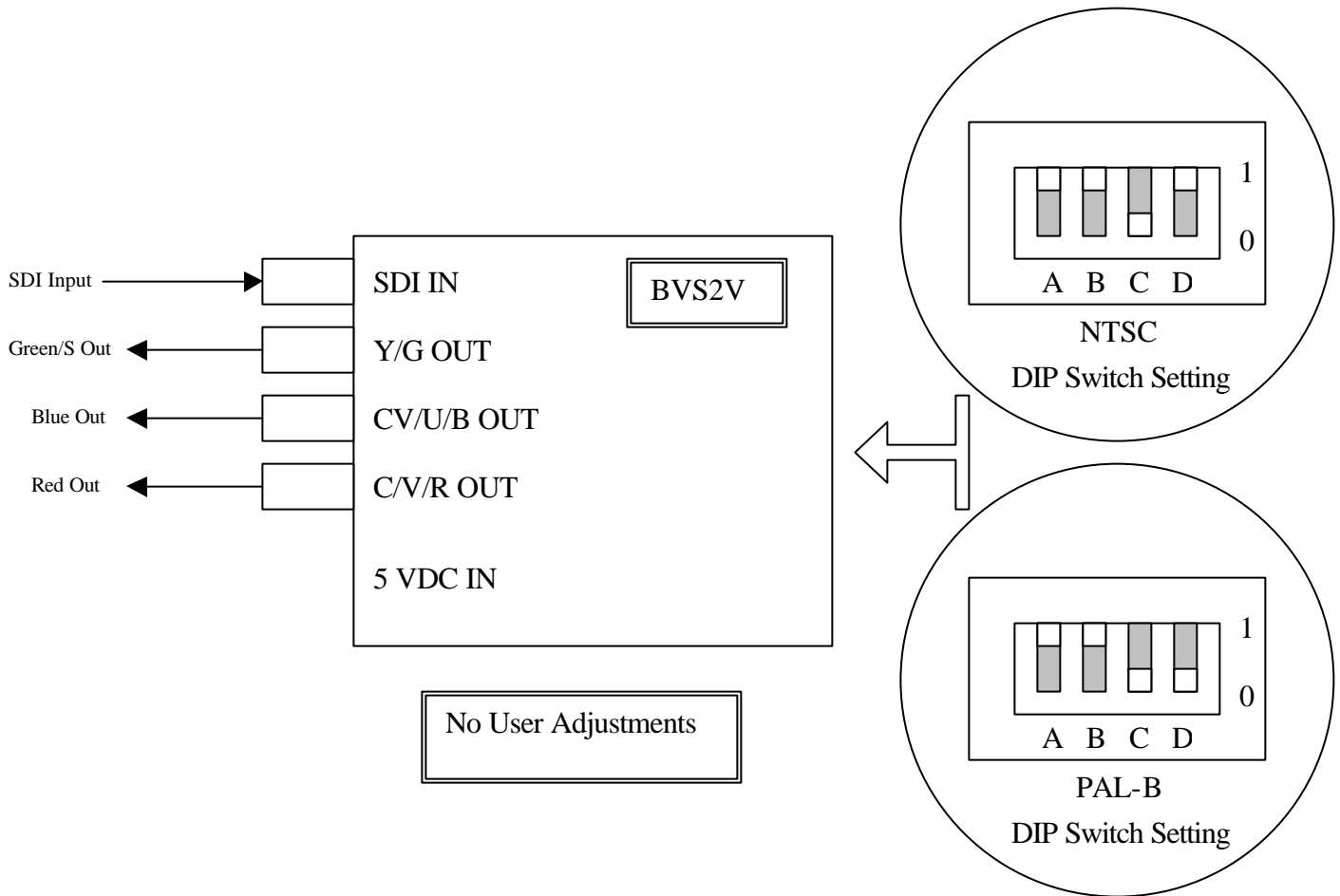


OPERATION NOTE

*The green LED located to the left of the DIP switch device is **NOT** a power indicator. The LED will flash at power up, and at any change in the DIP switch settings—it is designed as acknowledgement to microprocessor power-up and switch changes only.*

OPERATING INSTRUCTIONS

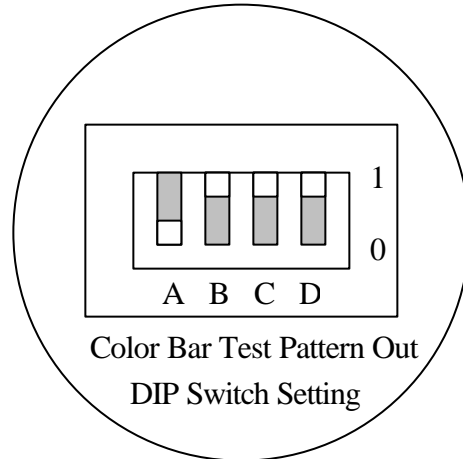
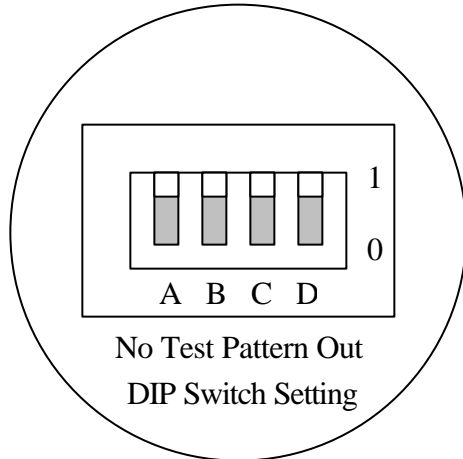
Serial Digital (SMPTE 259M) In – RGB Out



OPERATION NOTE

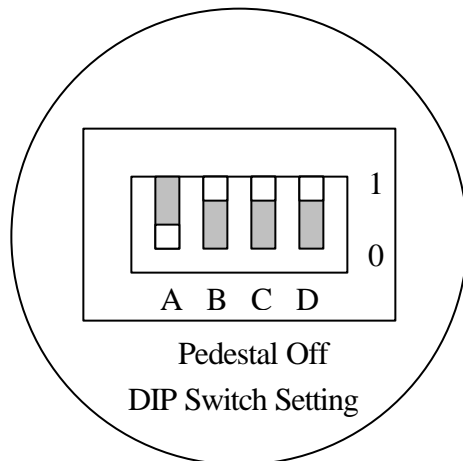
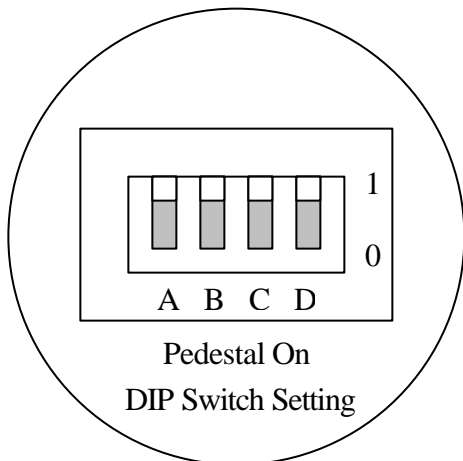
*The green LED located to the left of the DIP switch device is **NOT** a power indicator. The LED will flash at power up, and at any change in the DIP switch settings—it is designed as acknowledgement to microprocessor power-up and switch changes only.*

Special Settings:

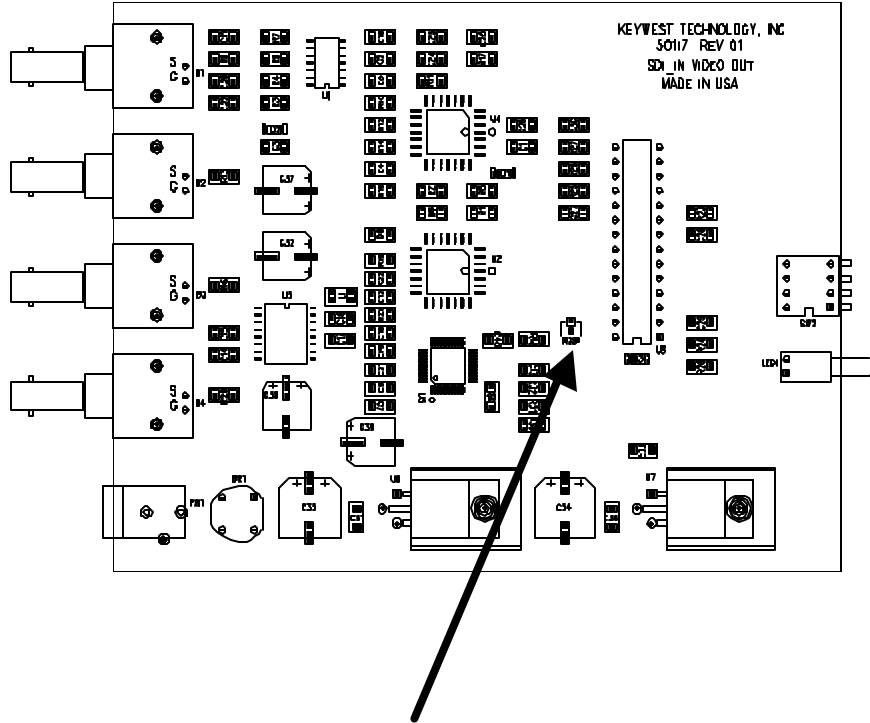


The 100% color bar test pattern generation may be selected on or off by the user. Place "A" switch to the "0" position to generate the test pattern. The test pattern will output in the standard and format selected by the remaining switches

SPECIAL PEDESTAL MODE



The 7.5 IRE pedestal may be selected on or off by the user (if requested at time of order). This feature is a special request item. Software can be changed for either mode, but requires a special request to Keywest Technology for replacement processor.



Adjust R29 (shown above) for overall composite video output level

NOTE: The Boolean chart on the unit front panel may be misleading in RGB modes. Both available RGB modes contain sync, therefore there is no difference between the two RGB selections.