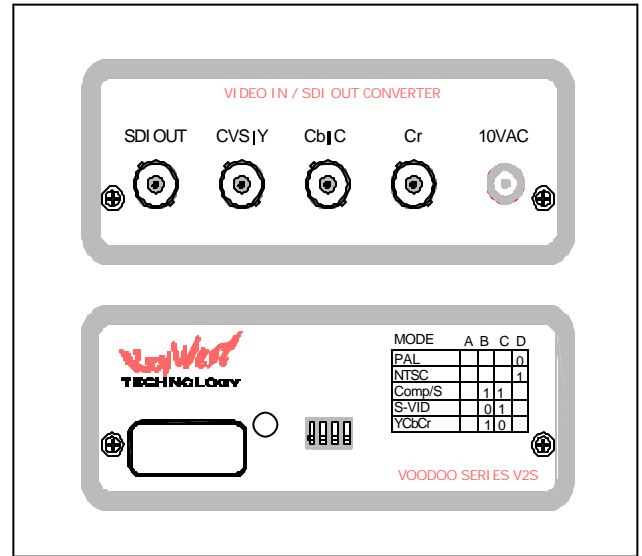


Multi-Standard Analog Video to Serial Digital Video Converter

The BVV2S converts analog NTSC or PAL-B composite, Y/C, or YCrCb video to SMPTE 259M Serial Digital (CCIR 601) video. The unit is designed as a low-cost, "broadcast quality" A-D. Closed Caption, Intercast, Teletext, and WSS data is maintained in the conversion process, per international broadcast standards. Four in-line miniature switches (90 degree DIP) allow for input mode selection.



SPECIFICATIONS:

- Accepts NTSC and PAL-B analog video input (output standard same as input standard)
- Input format may be composite, Y/C, or YCrCb
- Professional 75 ohm BNC input and output connectors
- Adaptive 2-line digital comb filtering (separate luma & chroma paths)
- < 8nS Jitter (4nS to 6nS typical)
- 5 VDC operation (wall transformer included—unit serial numbers prior to VS00236 may operate on 12 VDC—use included transformer for best results)
- 42dB typical SNR
- 5.8 MHz typical luma NTSC bandwidth (to 3dB)
- 800/500 KHz typical NTSC chroma frequency response (to 3dB)
- <1/100 frame input to output delay
- Passes all available VBI
- Ambient operating temperature -20 to + 70 °C

ORDERING INFORMATION

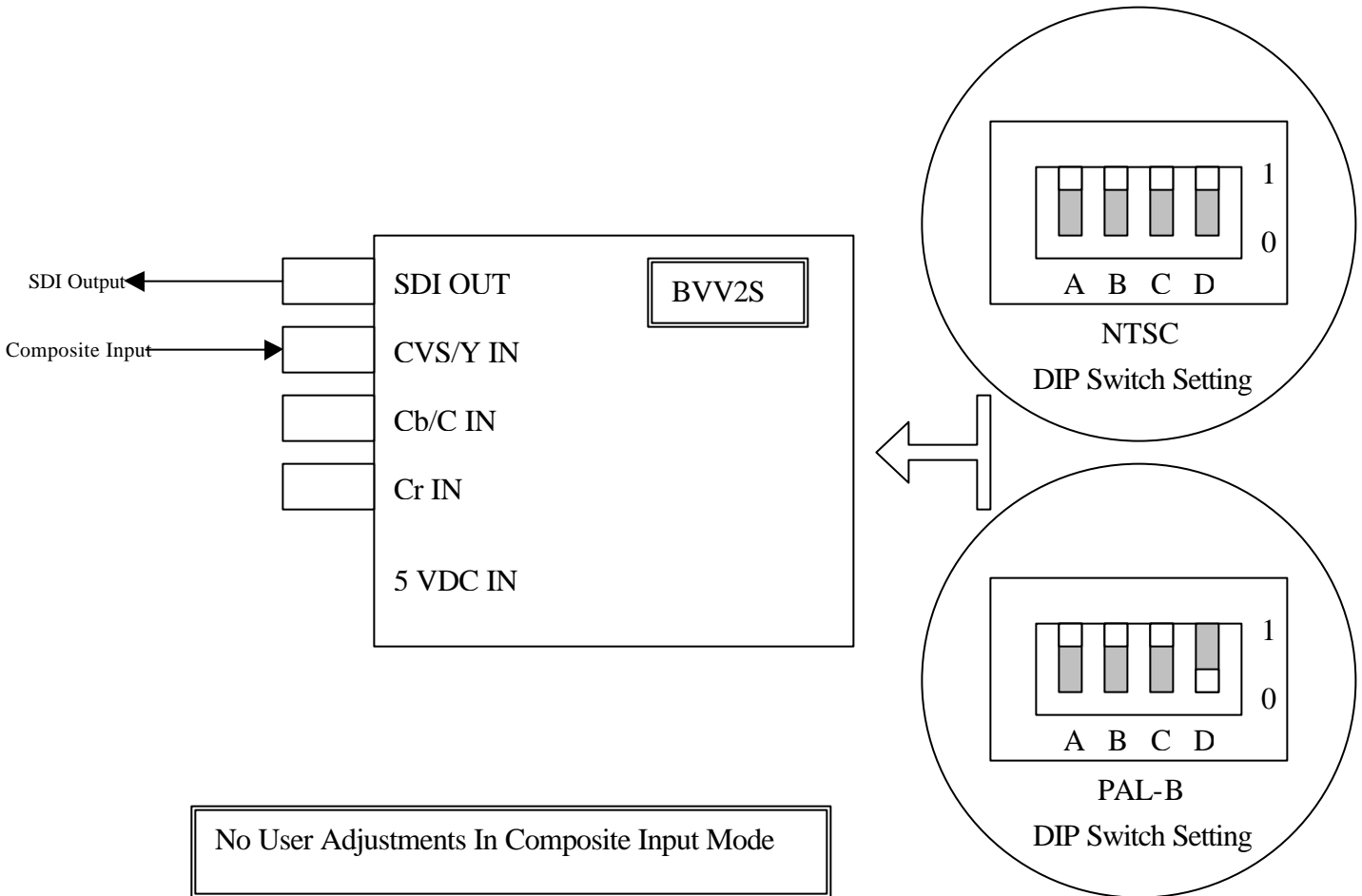
| Part # | Options |
|--------|--|
| BVV2S | Rack Kit, Rack Kit Blanks, Universal PSU |

APPLICATIONS

- Analog VTR to SDI switcher, router, edit station
- In studio conversions
- Truck/van conversions
- Utilize analog equipment with new SDI equipment in any situation
- Multimedia Presentations (import analog video sources to SDI PC boards)
- Transmit video noise-free over distances (with single cable)
- Multi-task costly SDI equipment

OPERATING INSTRUCTIONS

Composite In – Serial Digital (SMPTE 259M) Out



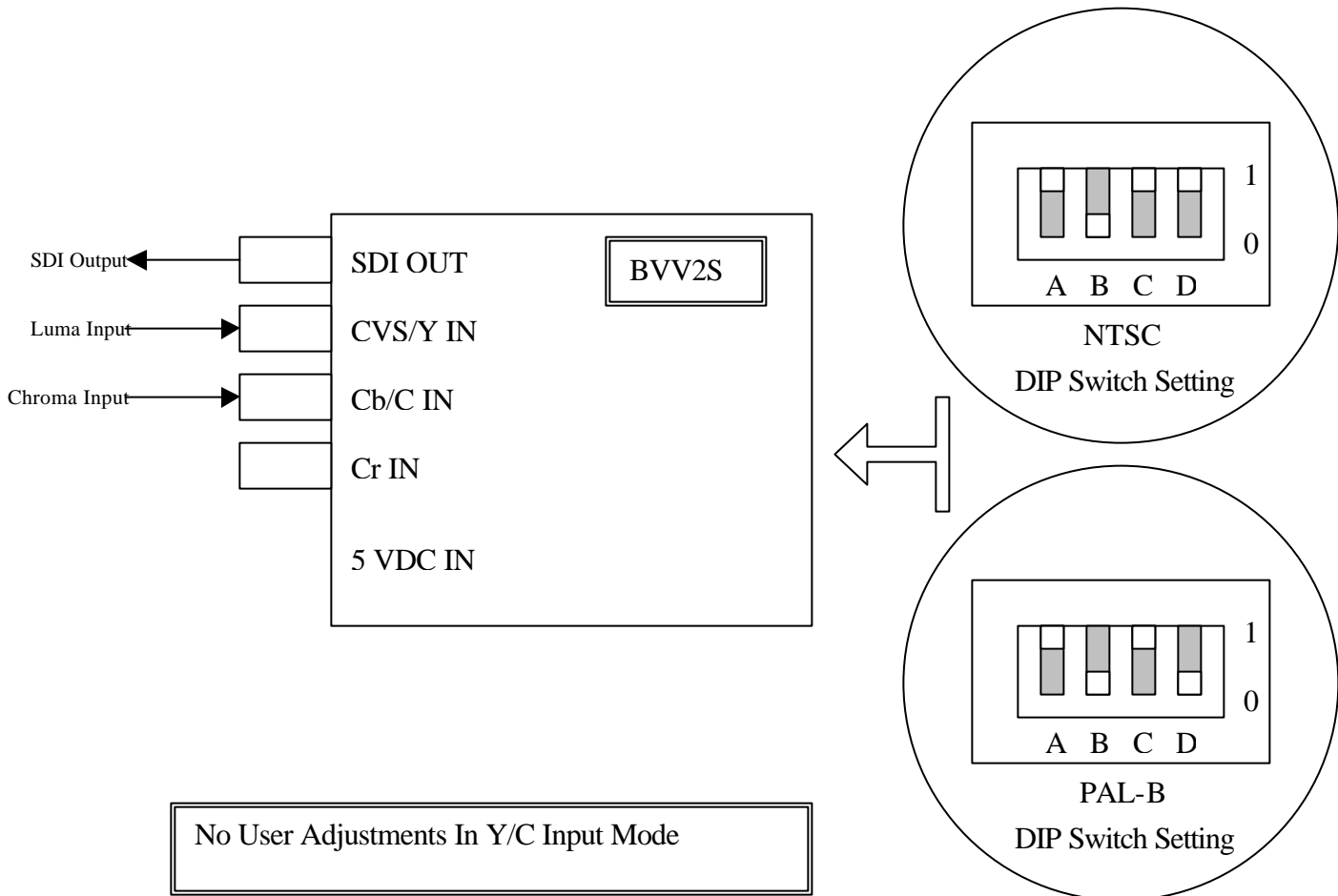
No User Adjustments In Composite Input Mode

OPERATION NOTE

*The green LED located to the left of the DIP switch device is **NOT** a power indicator. The LED will flash at power up, and at any change in the DIP switch settings—it is designed as acknowledgement to microprocessor power-up and switch changes only.*

OPERATING INSTRUCTIONS

Y/C In – Serial Digital (SMPTE 259M) Out



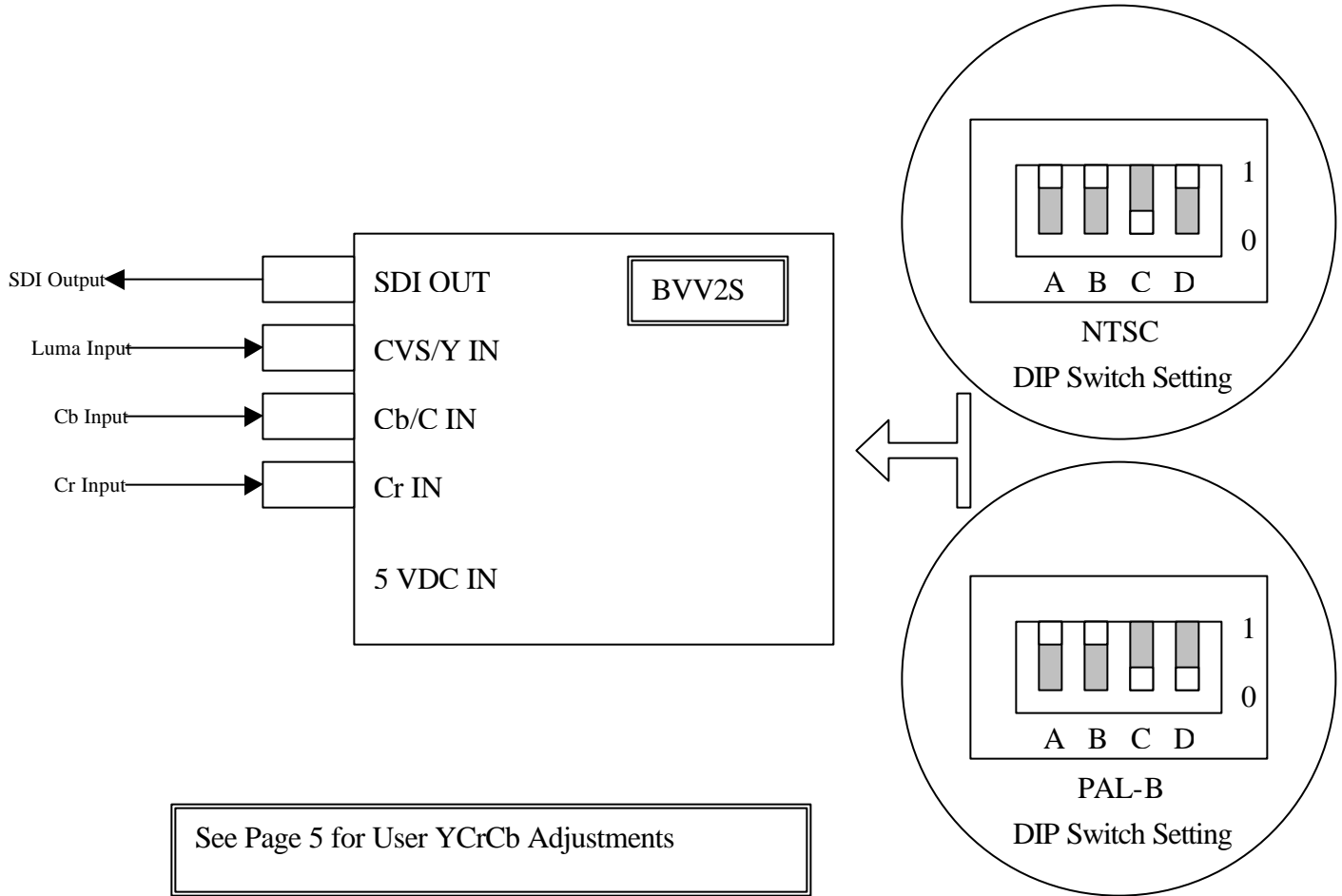
No User Adjustments In Y/C Input Mode

OPERATION NOTE

*The green LED located to the left of the DIP switch device is **NOT** a power indicator. The LED will flash at power up, and at any change in the DIP switch settings—it is designed as acknowledgement to microprocessor power-up and switch changes only.*

OPERATING INSTRUCTIONS

YCrCb In – Serial Digital (SMPTE 259M) Out



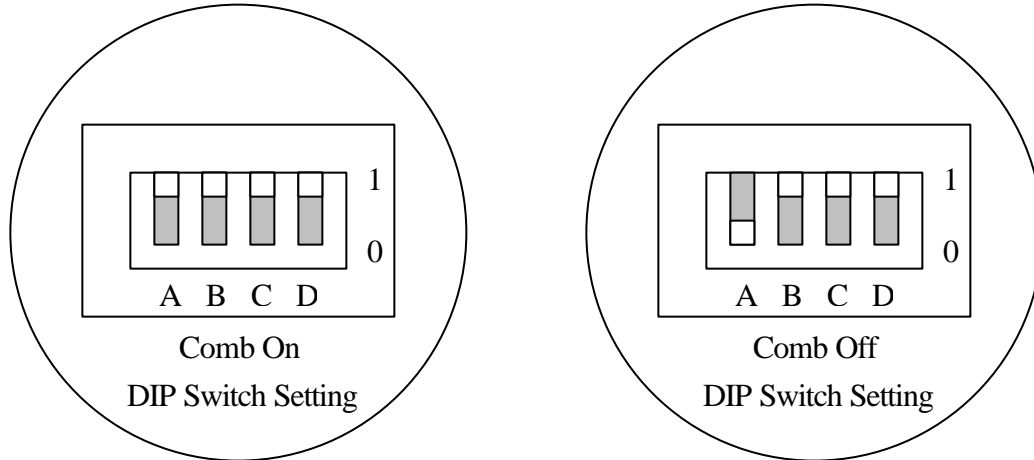
See Page 5 for User YCrCb Adjustments

OPERATION NOTE

*The green LED located to the left of the DIP switch device is **NOT** a power indicator. The LED will flash at power up, and at any change in the DIP switch settings—it is designed as acknowledgement to microprocessor power-up and switch changes only.*

OPERATING INSTRUCTIONS

Special Settings:



The comb filter may be selected on or off by the user. Place "A" switch to the "0" position for comb off operations—place "A" switch in the "1" position for comb on operations. This switch is functional in all modes

YCrCb Color Balance Adjustments: Use adjustment tool to set Cr & Cb color balance via trim pots R38 & R37

